



Certified quality - Made in Germany



Up-and-Over Garage Doors

Europe's best-selling garage door



Individual designs

The garage door for the highest architectural demands



With style 905, you can create a garage front to fit your own ideas and personal architectural style. A steel frame construction for on-site infill is a solid technical basis to build on. You can pick an infill to fit your individual style. No other garage door can be integrated so harmoniously into the overall facade.



Colours and surfaces to choose

The galvanized door leaves are protected against corrosion and the adverse effects of the environment right into the cut edges.

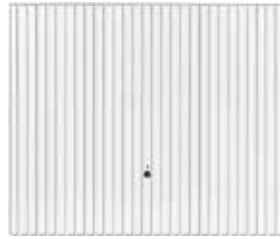
Our steel styles are available in inexpensive Traffic white as standard, in 7 equally-priced preferred colours, as well as about 200 colours based on RAL.



Styles 902 and 905 also come with a practical wicket door that provides you with good access to everything in the garage, without the need to open the entire door.



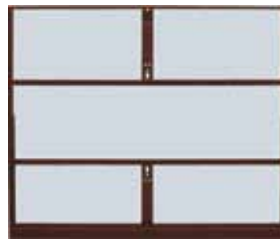
Safety and convenience for you and your family



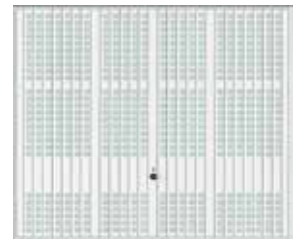
Style 902
Door width up to 5000 mm
Wicket door and side door also available



Style 902, terra brown RAL 8028
Door width up to 5000 mm
Wicket door and side door also available



Style 905
Door width up to 5000 mm
Wicket door and side door also available



Style 914
Steel ribbing with ventilation slots
Door width up to 5000 mm
Ideal for underground and collective garages

You can be completely sure

Flexible protective caps (Fig. 1) on the lever arm are just one example of the numerous safety options for our up-and-over doors. They completely cover the hazard area, thus preventing accidental crushing or trapping. Only Hörmann's up-and-over doors have such a high safety standard.

Safety in numbers

The multiple spring system (Fig. 2) reliably secures the door against falling. If one of the springs breaks, the other intact springs support the door. The distance between the spring windings is so minimal that even children's fingers are protected from getting caught.

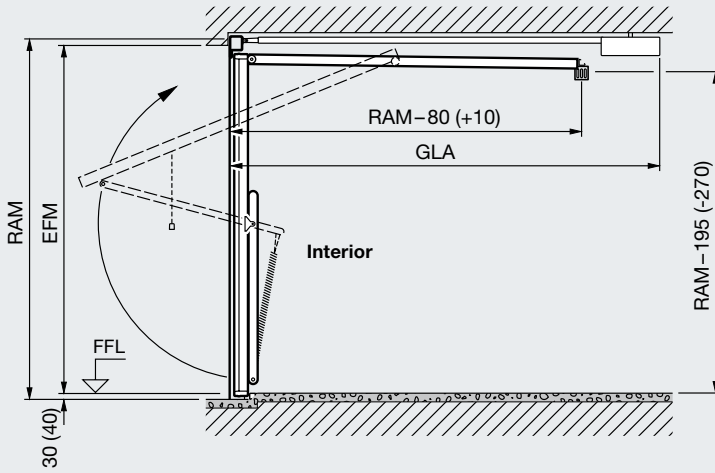
Conveniently closed

When closing, a specially-formed lever arm (Fig. 3) presses the door against the frame tightly and pulls itself closed, leaving no gap between the door and frame. The door is tightly closed on all sides.

Improved security

The unique rotary catch lock (Fig. 4) in Hörmann's up-and-over doors firmly fixes the corners of the door leaf to the frame, locking it much more securely than a common bolt lock. It is practically impossible to force the door open. You yourself can additionally equip the door with a top locking using an optional retrofitting kit.

Dimensions and Fitting Data

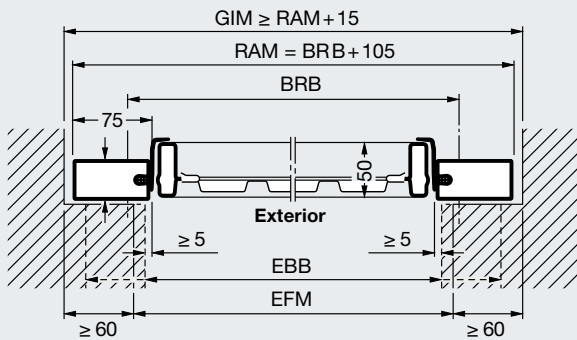


Total length with operator (GLA)
 3200 mm up to door height 2500 mm ProMatic/SupraMatic;
 3450 mm up to door height 2750 mm ProMatic/SupraMatic

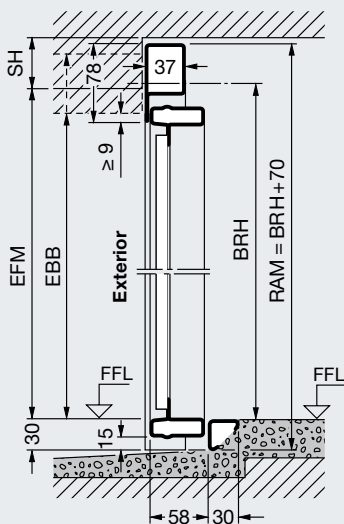
Dimensions in brackets = door type DF 98

Door type N80 for single garages

Horizontal view Fitting behind the opening

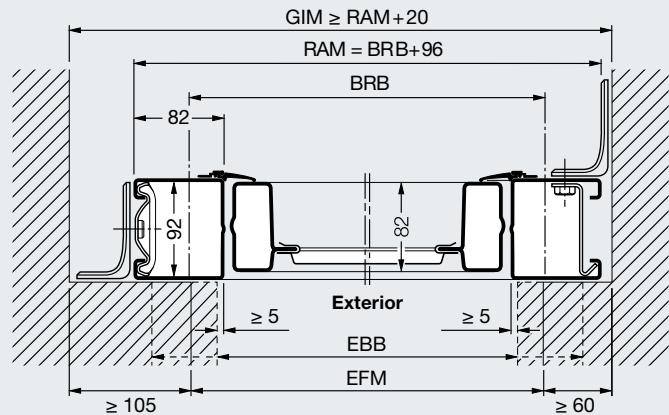


Vertical view Door with threshold

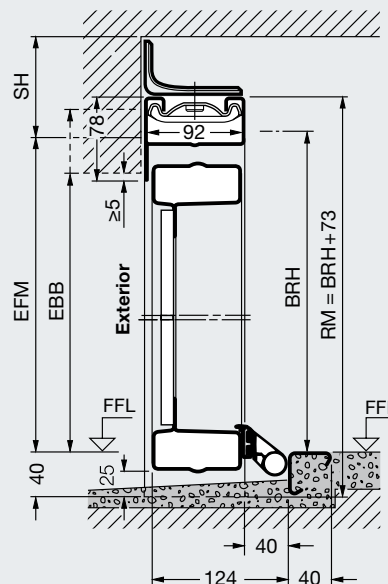


Door type DF 98 for double garages

Horizontal view Fitting behind the opening



Vertical view Door with threshold



Maximum size range (depending on the door style)

Door height (BRH)	2750												
	2625												
	2500												
	2375												
	2250												
	2125												
	2000												
	1875												
			2000	2250	2500	2625	3000	3250	3500	3750	4000	4500	4750
Door width (BRB)													

N 80
DF 98

Explanation of dimensions

- Ordering size**
- BRB Nominal size width
 - BRH Nominal size height
 - RAM B Overall frame dimension width
 - RAM H Overall frame dimension height
 - LDB Clear passage width
 - LDH Inside garage dimension
 - GIM Garageninnenmaß
 - EFM Recommended structural dimension
 - FM Structural dimension
 - EBB Fitting area
 - GLA Overall length with operator
 - SH Headroom
- N 80**
with steel infill ≥ 50 mm
Style 905, 941 ≥ 65 mm
with timber infill ≥ 65 mm

N80 standard sizes for single garages (depending on the door style)

Ordering size		Overall frame dimension		Clear passage dimension*	
BRB	BRH	RAM B	RAM H	LDB	LDH
2250	1920	2355	1990	2110	1800
	2000	2355	2070	2110	1880
	2075	2355	2145	2110	1955
	2125	2355	2195	2110	2005
2375	1920	2480	1990	2235	1800
	2000	2480	2070	2235	1880
	2075	2480	2145	2235	1955
	2125	2480	2195	2235	2005
	2250	2480	2320	2235	2130
2500	2375	2480	2445	2235	2255
	1920	2605	1990	2360	1800
	2000	2605	2070	2360	1880
	2075	2605	2145	2360	1955
	2125	2605	2195	2360	2005
	2250	2605	2320	2360	2130
	2375	2605	2445	2360	2255
2625	2500	2605	2570	2360	2380
	2750	2605	2820	2360	2630
2750	2125	2730	2195	2485	2005
	2000	2855	2070	2610	1880
3000	2125	2855	2195	2610	2005
	2000	3105	2070	2860	1880
	2125	3105	2195	2860	2005

DF 98
without operator ≥ 90 mm
with operator ≥ 100 mm

Doors with modernisation panels
The structural width may be reduced by max. 10 mm. The structural height may be reduced by max. 10 mm if fitting with a threshold. Add 30 mm to the structural dimension for doors with uninterrupted flat floor lines (frame from FFL).

Please note:
* Clear passage dimension for doors with threshold

DF 98 standard sizes for double garages (depending on the door style)

Ordering size		Overall frame dimension		Clear passage dimension*	
BRB	BRH	RAM B	RAM H	LDB	LDH
4000	2000	4096	2073	3840	1820
	2125	4096	2198	3840	1945
4500	2000	4596	2073	4340	1820
	2125	4596	2198	4340	1945
	2250	4596	2323	4340	2070
5000	2000	5096	2073	4840	1820
	2125	5096	2198	4840	1945

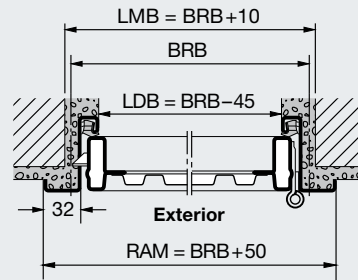
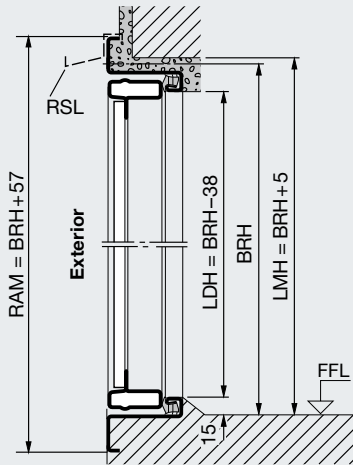
Dimensions and Fitting Data

Side doors

Side door, single-leaf

Vertical view Door with threshold

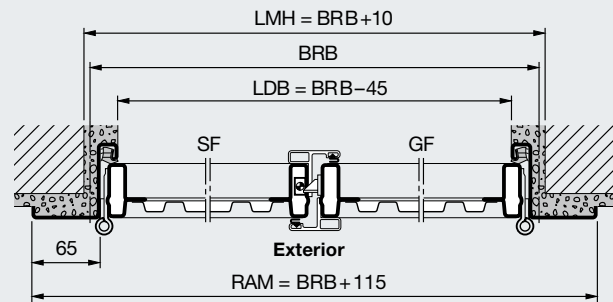
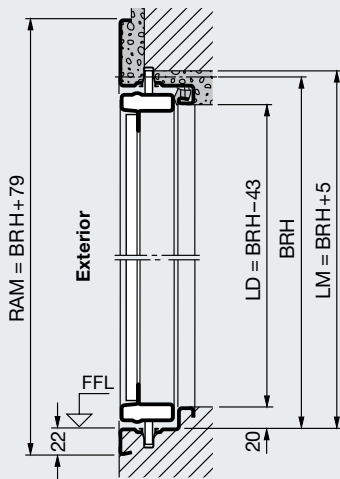
Horizontal view



Side door, double-leaf

Vertical view Door with threshold

Horizontal view



Side door, single-leaf

Standard sizes

Ordering size		Structural opening		Clear passage dimension with threshold *		Lever height
BRB	BRH	LMB	LMH	LDB	LDH	from FFL
875	1875	885	1880	830	1837	987,5
	2000	885	2005	830	1962	1050
	2125	885	2130	830	2087	1112,5
1000	2000	1010	2005	955	1962	1050
	2125	1010	2130	955	2087	1112,5

Special sizes and versions on request.
Max. size range (BR): 1250 x 2375 mm.

Standard sizes with steel infill and on-site infill doors are supplied for external fitting as standard. Internal fitting is possible by reversing the hinges. Styles with timber infill overlapping the frame are only possible with external fitting.

Block frame for fitting in the opening: dimensions and versions on request.

Explanation of dimensions

Ordering size	
BRB	Nominal size width
BRH	Nominal size height
LMB	Structural opening width
LMH	Structural opening height
RAM B	Overall frame dimension width
RAM H	Overall frame dimension height
LDB	Clear passage width
LDH	Clear passage height
The clear passage width is reduced if the opening angle is less than 180°.	
RSL	Rain canopy
SF	Fixed leaf
GF	Traffic leaf
*	LDH without threshold + 15 mm

Side door, double-leaf

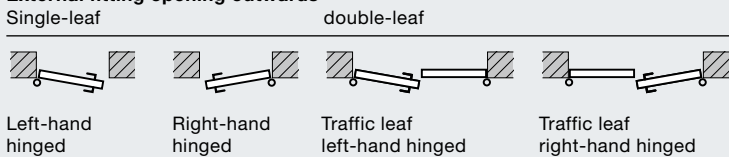
Size range

Width (BRB) 1300 to 2500 mm
Height (BRH) 1750 to 2250 mm

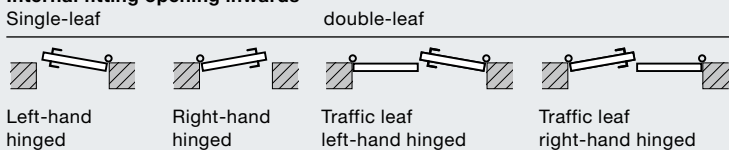
Block frame for fitting in the opening: dimensions and versions on request. As standard delivered for external fitting, traffic leaf on right hand side, state on order if internal fitting or traffic leaf on left hand side is required!

Fitting variants

External fitting opening outwards



Internal fitting opening inwards



With doors fitted on the inside, the threshold angle or transport angle must always be removed and a water run-off to the outside must be provided. Doors on the weather side are preferably fitted externally.

PRO-TEC

garage door services

Daytime tel: 07817 469536

Eve tel: 01226 761506

email: chris@protecgaragedoors.co.uk



Based near Barnsley in South Yorkshire, PRO-TEC GARAGE DOORS are available to supply & install Garage Doors & Automation Systems throughout Yorkshire, including the following areas: Barnsley, Dewsbury, Cleckheaton, Heckmondwike, Liversedge, Batley, Horbury, Ossett, Bradford, Garforth, Pudsey, Morley, Leeds, York, Wetherby, Knottingley, Tadcaster, Kippax, Castleford, Pontefract, Normanton, Featherstone, Hemsworth, Selby, Sheffield, Rotherham, Stocksbridge, Penistone, Holmfirth, Huddersfield, Brighouse, Halifax, Elland & Wakefield.